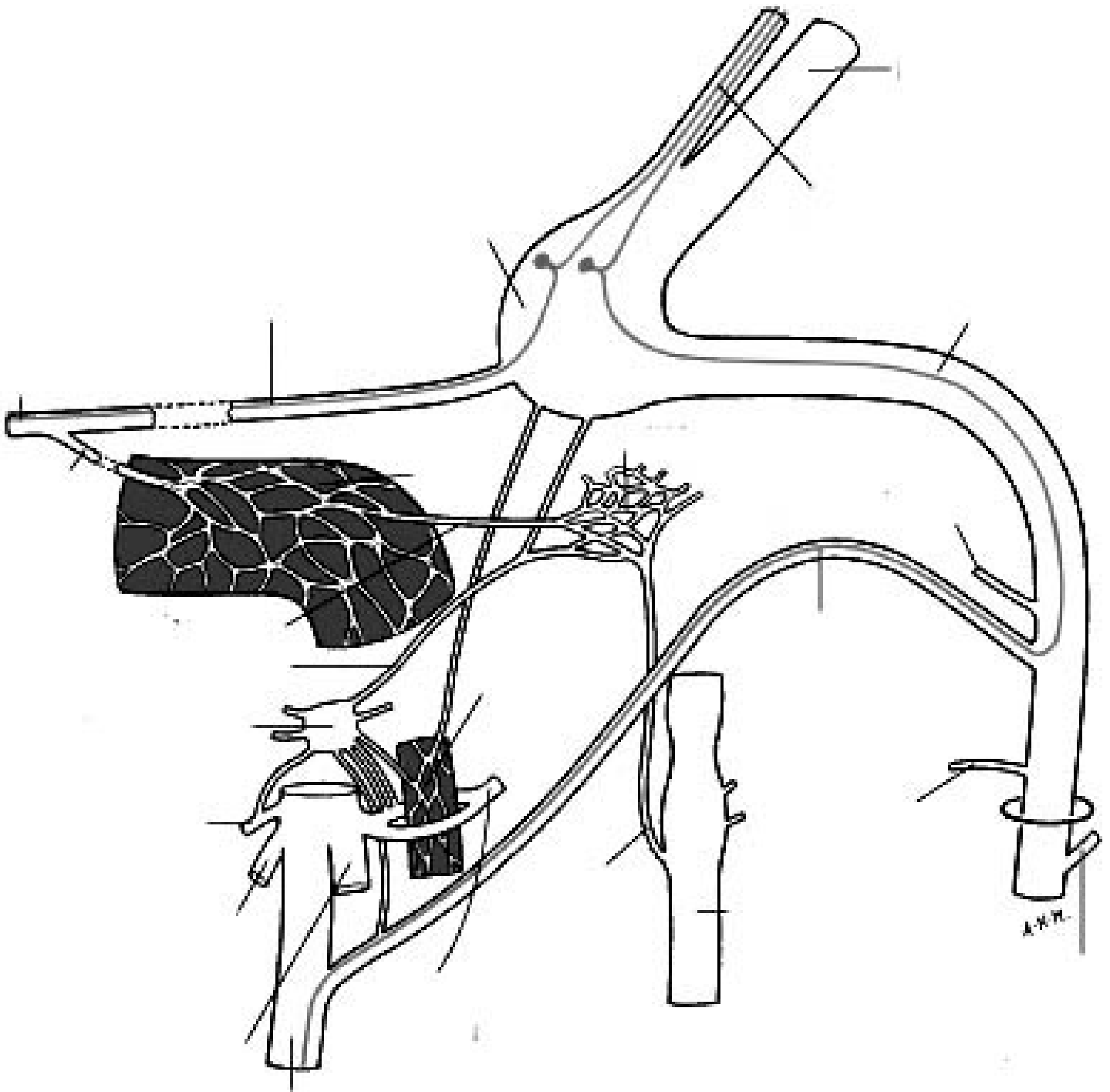
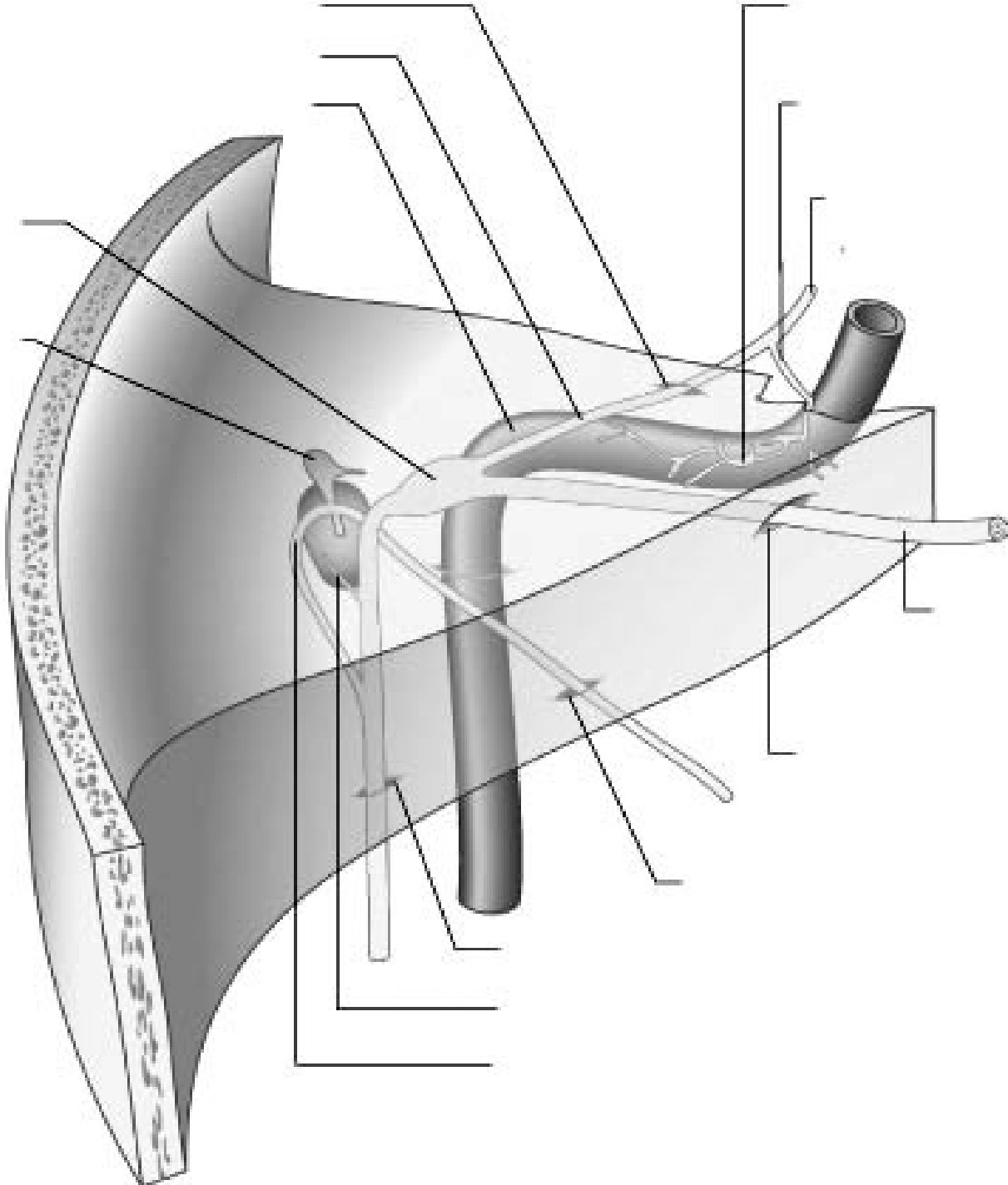


Gray's 38.11B. Facial Nerve and Taste



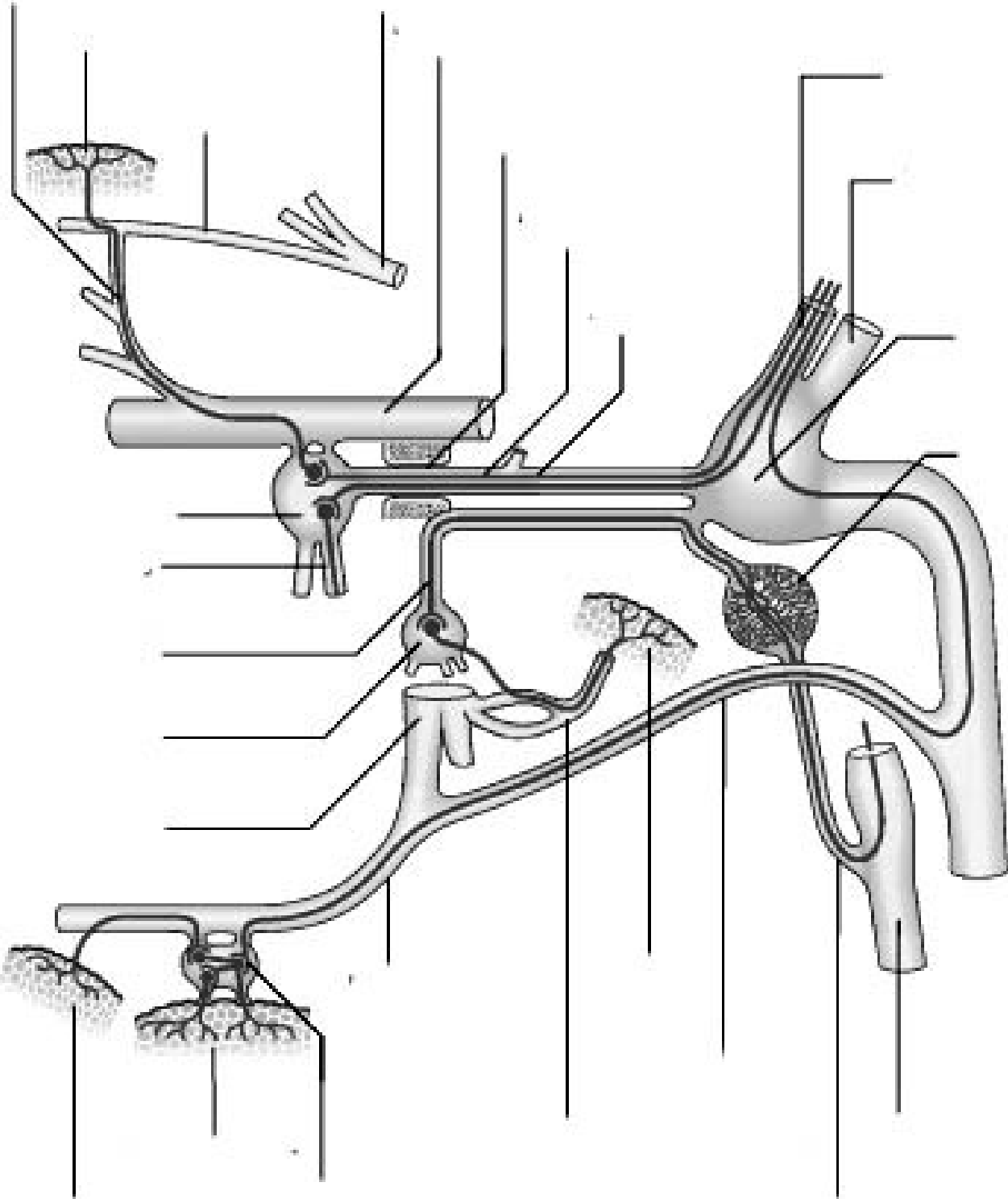
© Elsevier Ltd 2005. Standring: Gray's Anatomy 39e

Gray's 38.11A. Facial Nerve Within Temporal Bone

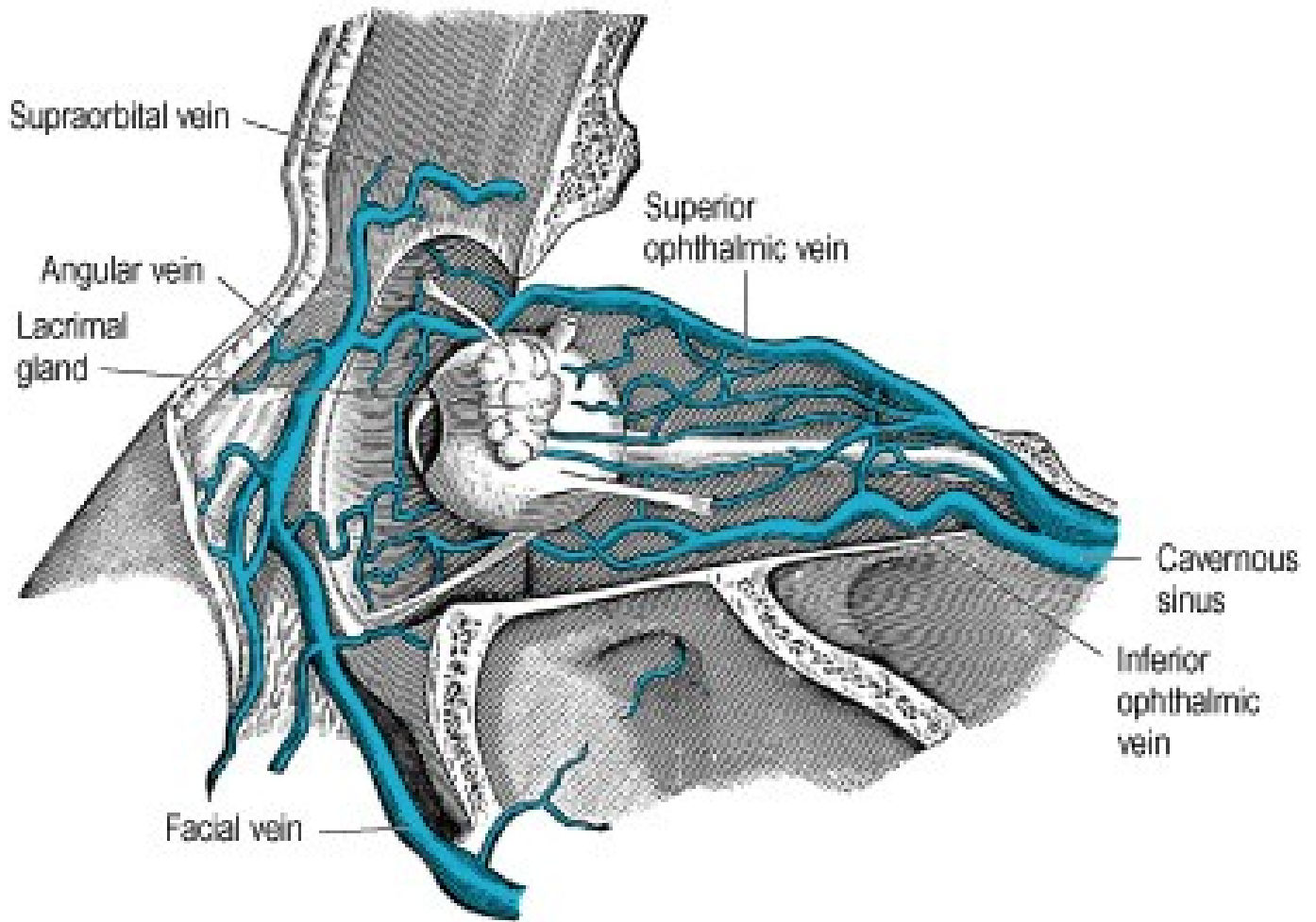


© Elsevier Ltd 2005. Standing: Gray's Anatomy 39e

Gray's 30.8. Parasympathetic Ganglia (Excluding Ciliary)

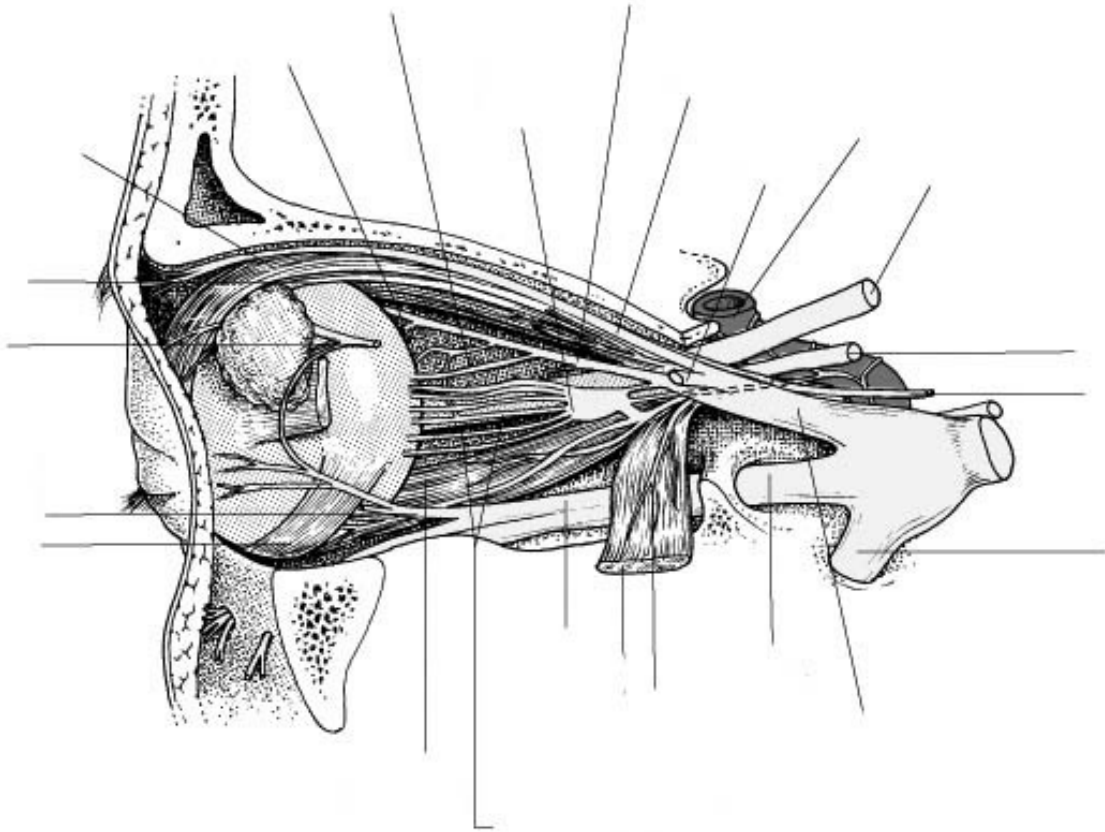


Gray's 42.23. Veins of Orbit



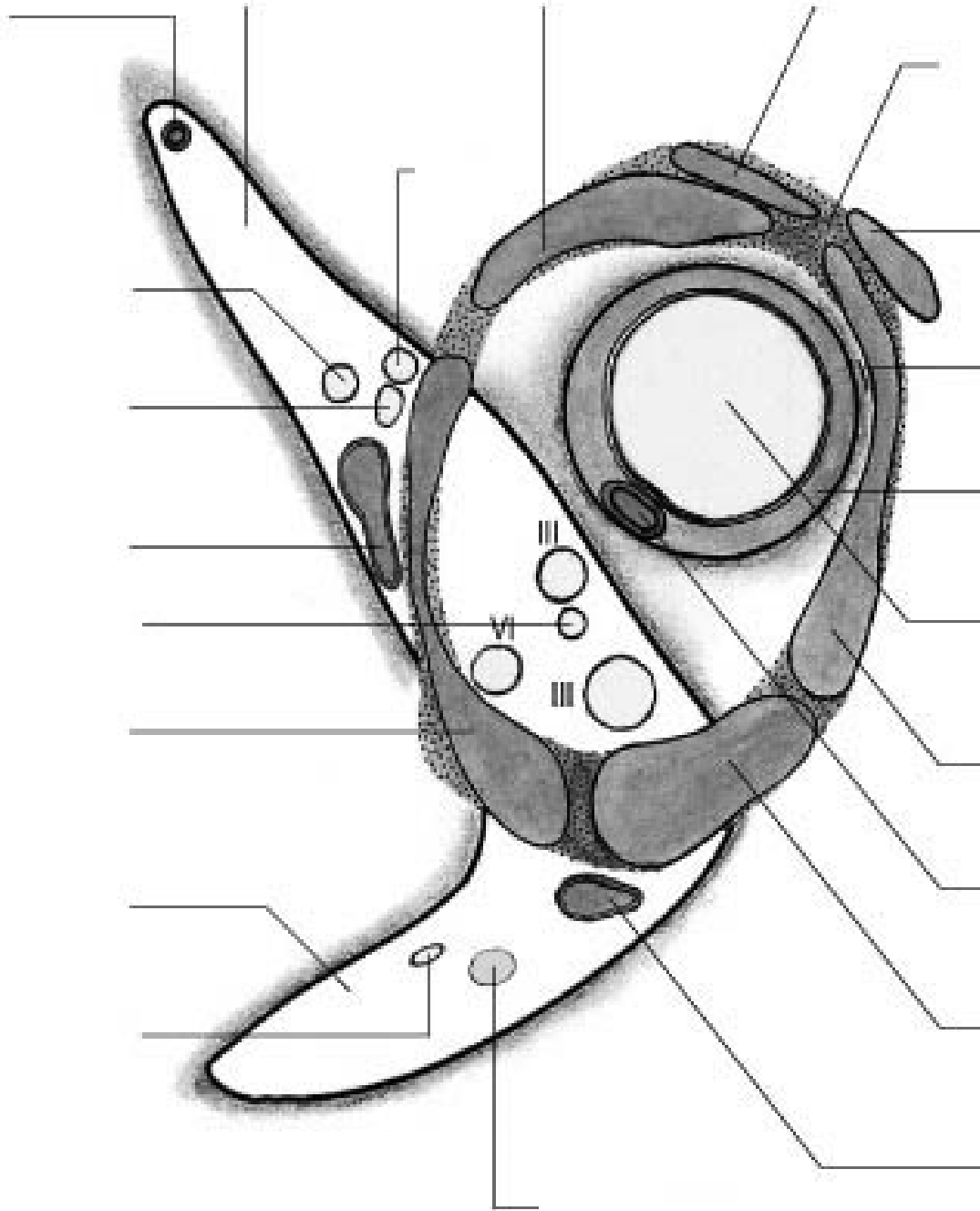
© Elsevier Ltd 2005. Standring: Gray's Anatomy 39e

Gray's 41.25. Ciliary Ganglion



© Elsevier Ltd 2005. Standing: Gray's Anatomy 39e

Gray's 41.17. Common Tendinous Ring



© Elsevier Ltd 2005. Standing: Gray's Anatomy 39e

Gray's 42.23. Arteries of the Orbit

